

DRUM FILTERS

LIVE FISH ELEVATORS

LIVE FISH GRADERS

FLOATING AERATORS

EQUIPMENT...



CATALOG 2006



AQUACULTURE

<http://www.faivre.fr>



TRUST IN OUR EXPERIENCE

FAIVRE company has established a reputation due to the reliability, the quality of its products and its ability to innovate and adapt to the needs of fish farmers.

Since 1958, FAIVRE story is ongoing...



Claude FAIVRE, founder of the company in 1958.

An innovative manufacturer

Claude Faivre, the company's founder, created the first automatic grader in 1958, and since then creations and innovations have followed apace :

1958 : "Calibromatique", the first vibrating automatic **grader** (patented)

1966 : "Flobull", the first floating aerator with hi-speed turbine (patented)

1975 : 2nd generation automatic grader

1977 : Invention of the automatic catching fish elevator (patented)

1987 : 3rd generation patented automatic grader

1988 : Launch of the fish counter

1991 : Manufacture of the "Aéropulse" hydro-ejector

1996 : First drum filters produced

2002 : Fourth generation automatic grader

2003 : Manufacture of the disc-type screener

2005 : The new hi-capacity Helios10 smolts grader.

All these innovations have enabled Faivre to develop and sale its products **to five continents**.

Three of the founder's sons have now joined the family firm, to continue a tradition of innovation and quality that has made the company's reputation world-wide.



FAIVRE manufacture at Baume-les-Dames, France



Left to right : Jean-Louis and Frederic FAIVRE (Co-Managing Directors), and Aubert FAIVRE (Export Manager).

MODERN MANUFACTURING TECHNIQUES

Faivre manufactures and designs innovative machines, so has always been at the cutting edge of technology, combining in its plant modern equipment and qualified engineers.

Digitally controlled machines, pulse welder and 3-dimensional CAD station enable us to make high quality machinery at a reasonable price.



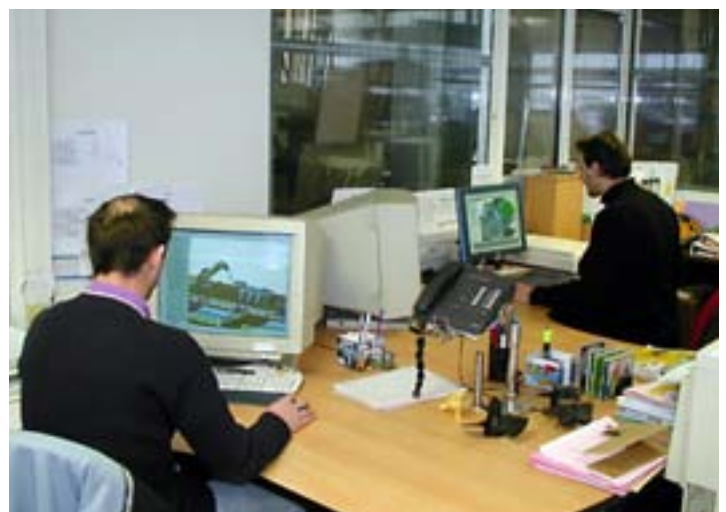
Qualified staff in welding as well as assembly, a further mark of quality.



A skilled team at the office to get your commercial requests, and to feed you back with the right information in English, German, Italian Portuguese...and French.



Digital controlled sheet working machine, and laser cutting is used to get the most complex shapes in stainless



Since 1995, Faivre SARL have had a design department equipped with the latest generation of 3D CAD work stations.

DRUM FILTERS

ROTOCLEAN

**MORE THAN 400 DRUM FILTERS
HAVE BEEN SOLD
ON THE FIVE CONTINENTS**



2-60 drum filter with stainless steel tank



2

2-80 drum filter with stainless steel frame

**FILTRATION
DOWN TO 20µ**

Serie 60

Flow rate up to 27 l/s (97m³/h) with 100µ.

This compact filter is designed specifically for closed circuit fish farm installations.

Available in 2 shapes :

- 1) Supplied with a tank for installations without civil engineered concrete tank.
- 2) Supplied with frame for installations in an existing concrete channel.



FILTER 2-60
WITH TANK

Serie 80

Flow rate up to 135 l/s (486m³/h) with 100µ.

Available in 2 shapes :

- 1) Supplied with a tank for installations without civil engineered concrete tank.
- 2) Supplied with frame for installations in an existing concrete channel.



FILTER 6-80
WITH TANK

Serie 120

Flow rate up to 210 l/s (760m³/h) with 100µ.

Available in 2 shapes :

- 1) Supplied with a tank for installations without civil engineered concrete tank.
- 2) Supplied with frame for installations in an existing concrete channel.



FILTER 9-120
WITH FRAME

Serie 160

Flow rate up to 750 l/s (2700m³/h) with 100µ.

The 160 series has been designed for those fish farming sites where there are strict requirements for the filtration of outgoing effluent flows, large commercial aquariums (with filtration up to 20µ closed circuit), and the farm-produce industry installations, requiring filtration of the waste water discharge.

Available in 2 shapes :

- 1) Supplied with a tank for installations without civil engineered concrete tank.
- 2) Supplied with frame for installations in an existing concrete channel.



FILTER 12-160
WITH FRAME

ROTOCLEAN

High quality drum filters :

FAIVRE presents a complete range of filters in order to handle high & low water volumes. Designed to recycle water of close circuits and inlet / outlet of open circuits. They can handle 8 up to 750 l/s.

The table here below will help you to determine the filter you need.

Ask us for further information & quotation.

Filter 12-160 with frame on a fish farm outlet.



FILTER 16-160 WITH TANK



- Robuste design
- Free maintenance
- Cheap running
- Viable investment



SLUDGE OUTLET

Indicative filtration capacity (l/s)

These figures are given as indication, please contact us for any calculation.

Filters >	Mesh open	Serie 60				Serie 80				Serie 120				Serie 160			
		2-60	2-80	4-80	6-80	3-120	6-120	9-120	8-160	12-160	16-160	20-160	24-160	28-160	32-160		
Water with maxi 10 mg/l of susp. solids. Outlet fish farm .	20μ	8	13	26	39	20	40	62	55	82	110	136	164	190	220		
	30μ	14	23	46	69	35	70	102	94	140	184	230	280	330	380		
	40μ	15	26	52	78	42	82	123	112	170	222	280	330	390	450		
	60μ	20	34	68	102	51	105	155	140	210	280	350	420	480	550		
	80μ	22	38	76	114	59	111	180	164	244	310	390	470	550	640		
	100μ	27	45	90	135	70	130	210	195	290	370	460	550	650	750		
Water with maxi 25 mg/l of susp. solids. Recirculated fish farm.	30μ	7	13	26	39	18	41	60	55	80	112	135	165	190	215		
	40μ	10	18	36	54	24	54	82	74	110	146	185	225	255	290		
	60μ	15	25	50	75	33	76	116	102	150	200	255	300	350	400		
	80μ	19	32	64	106	42	92	144	155	196	250	320	385	450	510		
Maximum capacity (l/s) for filters WITH TANK		21				50				90				200			
		<i>Waste > 25 mg/l.</i>				<i>Please consult us.</i>											
Motor power (watt)		250	250	250	250	250	250	250	750	750	750	750	750	750	750		
Rinsing (liters/sec) at 3 bars at 80μ		0,16	0,20	0,4	0,6	0,2	0,4	0,6	0,4	0,6	0,8	1	1,2	1,4	1,6		
Filter surface (m ² - sq.m)		0,5	0,86	1,72	2,58	1,29	2,58	3,87	3,44	5,16	6,88	8,6	10,32	12,04	13,76		
Number of plates		2	2	4	6	3	6	9	8	12	16	20	24	28	32		

OPERATING SYSTEM OF THE AUTOMATIC DRUM CLEANING FILTER - ROTOCLEAN

The operating system is pretty simple.

Water to be filtered is directed into a rotating drum. The outer surface of the drum is constructed with a number of stainless steel frames covered with stainless steel mesh. Suspended solids larger than the perforations unable to pass through the mesh are retained in the drum. The slowly rotating drum separates the solids from the water and discharges the solids through a discharge hopper located at the top of the drum as indicated on sketch.

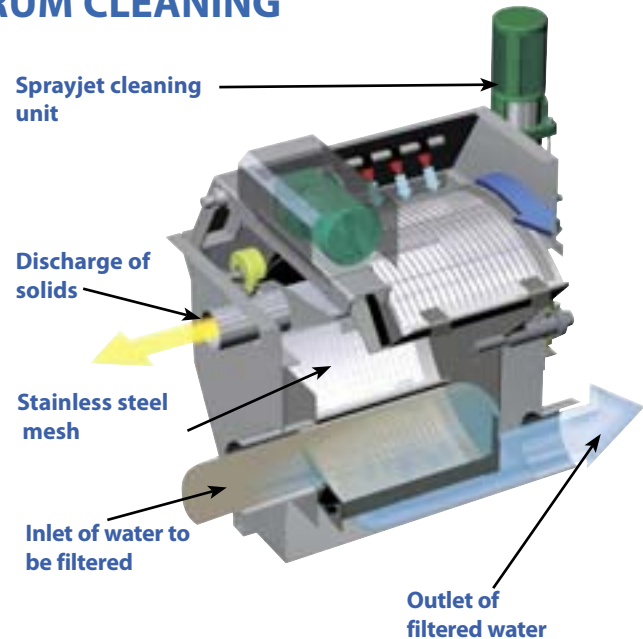
FAIVRE filters are designed to resist all corrosion, due to their construction entirely of stainless steel AISI 304L for fresh water, and AISI 316L (or special alloys) for salt water all parts of the

filter have been engineered and calibrated for their specific duty.

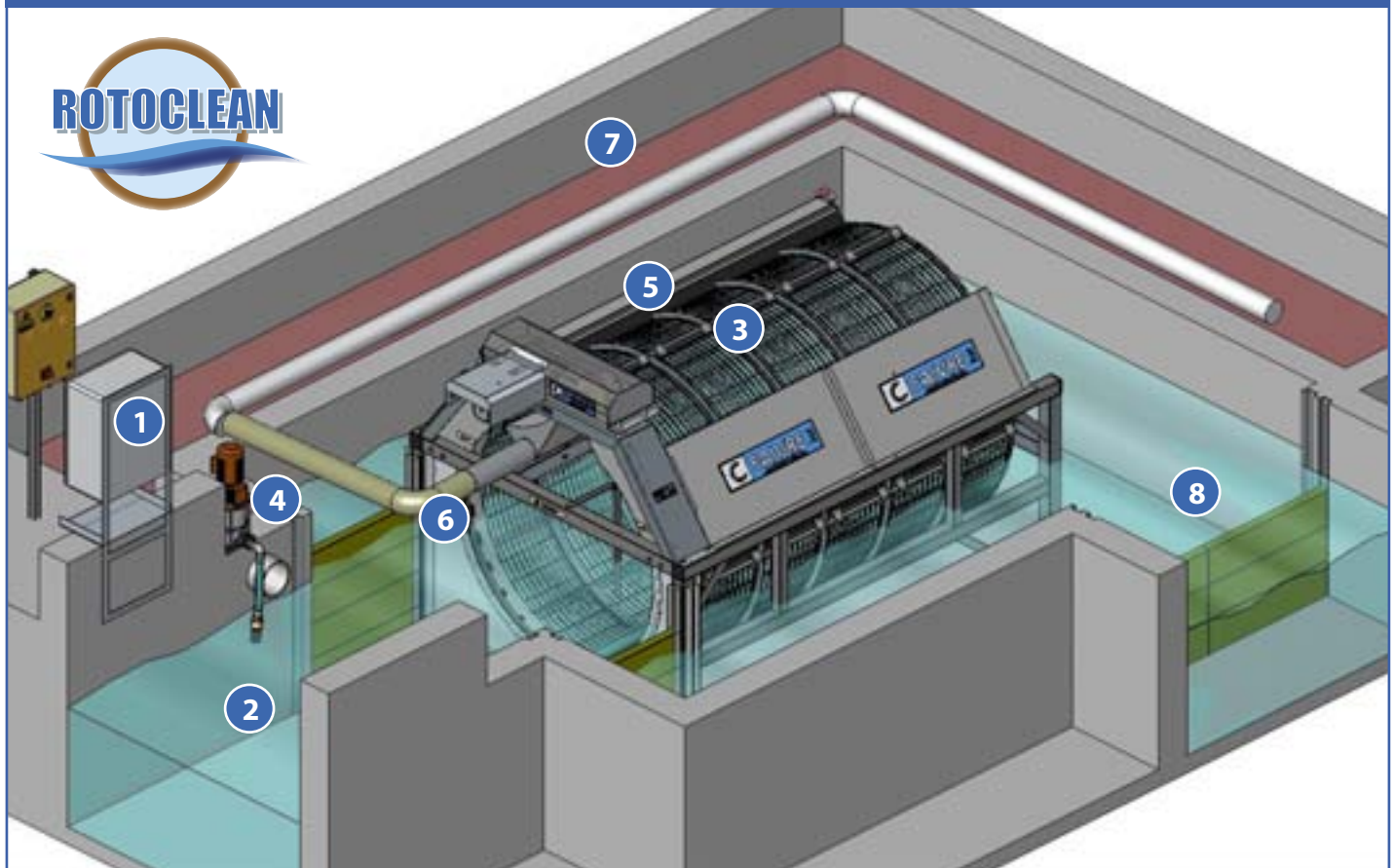
FAIVRE drum filters are constructed with minimum of moving parts and are belt driven. Maintenance is reduced to a minimum.

The efficiency of the design is contained within the construction of the stainless filter plates which are integrated into a strong stainless steel framework. Replacement of filter plates is possible in a few minutes due to the exclusive design. The filter plates are easy to clean and to replace on the drum unit.

FAIVRE offers a complete range of working filters which are strongly made and economic to operate.



GENERAL VIEW OF INSTALLATION IN CONCRETE CHANNEL (FISH FARM OUTLET)



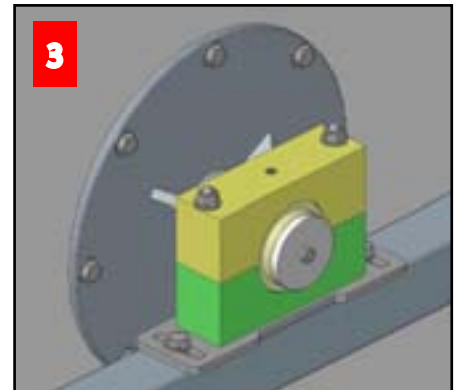
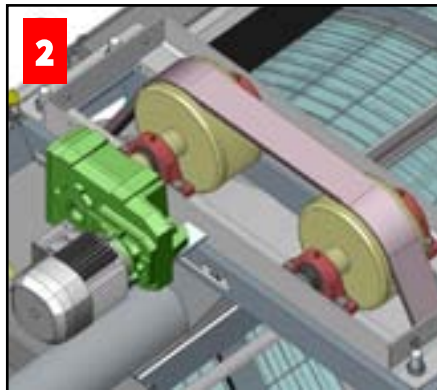
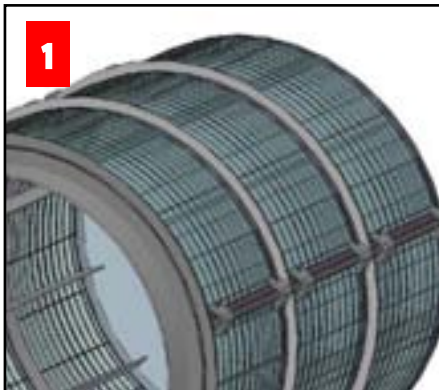
Above : - 1. Control unit - 2. Entry channel - 3. Drum on frame - 4. Water jet cleaning pump - 5. Spray jet cleaning unit
6. Sludge outlet - 7. Setting tank - 8. Filtered water discharge.

UNFAILING TECHNOLOGY FOR THE LOWEST WORKING COST POSSIBLE ...
ROTOCLEAN

Despite the extreme strength of their frame and drum, other technical features make the difference between a Faivre drum-type filter and any other make even greater.

Since 1996, our sole concern has been to build the most reliable, efficient drum filter on the market. As customers around the world can bear witness, our filters are more than able to run for several years, 24 hours a day, without any maintenance, in fresh water and sea water alike!

Just imagine how much money you will save using our filters.



1 - First of all an exclusive plate system entirely in stainless steel. The bonded fabric stretched on stainless steel supports is able to last several years!! in both fresh and sea water!

2 - Our system of driving the drum by POLY-V belt (used since 1996 on our filters), it has demonstrated how efficient and how free maintenance it is.

3 - Nothing is left to chance, the back bearing on drums was designed in our design department. We could not find a bearing strong enough and resistant to corrosion, so we decided to build one. And the result is all we'd hoped for, the swivel bearing is self-lubricating, a bronze bush replaces the high density polyethylene bearing (the bronze bush is lubricated for life!)



Stainless steel mesh



FREE MAINTENANCE



Fish-farm outlet filter :

The filtration mesh can vary from 80 to 100 microns for this application.
High water throughputs often require the use of a model 160. Official bodies concerned with the quality of discharges from fish farms tend to require the drum-type filter to effectively reduce matter from fish farming.

*Drum filter model 28-160 with frame, filter plates 80 microns.
Hydraulic capacity of 550 litres/seconde. Filter on frame on a concrete channel.
This drum filter is at outlet trout farm in Italy.*

Filter in closed circuit :

For 10 years the drum-type filter has been used in closed circuit. In this configuration the mesh can vary from 20 to 60 microns, but the 36 micron mesh is most often used as it offers a good compromise. The drum-type filter has enabled the construction of an efficient closed circuit, because of its compact size and its efficiency, better than a sand filter.
The main application remains the closed circuit for sea bass and sea bream fry.

*Drum filter model 6-80 with tank, filter plates 36 microns.
Hydraulic capacity of 24 litres/seconde. Filter made in 316L steel.
These drum filters are mainly used on sea bass and sea bream hatchery.*



Site inlet filter :

It is used to control the quality of water during winter spates. The drum mesh size is 20 to 100 microns. The filter is sited at the untreated water inlet for the closed circuit.
The main use is for closed circuit in sea water : filtration after pumping.

*Drum filter model 12-160 with tank, filter plates 20 microns.
Hydraulic capacity of 50 litres/seconde. Filter with stainless steel tank.
These drum filters are used before a UV system.
Water is pumped direct from stream.*



Please fill in the gaps and return this sheet for a quotation
Send by fax to +333 81 84 16 15

Type of filtration : Inlet Outlet Recirculated fish farm

Species of fish : Trout/Salmon Bass Bream
 Tilapia Eel others : _____

Quantity of water to be filtered : _____ litres/secondes m3/h galons/minutes

Type of filter : with tank without tank (intallation in a concret channel)

Water quality : fresh water sea water
 Temperature : _____C° Salinity : _____ppm

Quantity of suspended solids in mg/l : maximum : _____mg/l, average : _____mg/l

Filtration required :
 10µ 20µ 35µ 40µ 63µ 80µ 100µ 250µ 500µ

Power supply : 110V singlephase 220V singlephase 380V triphases
 50hz 60hz
 other : _____volts _____hz _____Phase

Optional
 Cover required : yes no
 Rinse water pump required : yes no
 Electrical box : yes no
 Type of filter operation : continuously with level sensor with timer

Further information are welcome i.e. : scheme of the installation, location of the filter, water level etc...

Company :		
Name :		
Function :		
Address :		
zip :	city :	country :
Tel :		
Fax :		
Email :		
Date :	Signature :	

LIVE FISH ELEVATORS

SINCE 1977
**LIVE FISH
ELEVATOR**
ORIGINAL SYSTEM

**MORE THAN 500 ELEVATORS HAVE
BEEN SOLD
ON THE FIVE CONTINENTS**



85 Class Ø 330mm 4,5m long loading elevator.



77 Class Ø 550mm 6,5m long fishing elevator.

Elevators provide the best solution to the problem of fish catching and lifting .
A PROVEN TECHNIQUE SINCE 1977

A screw elevator is made up of 3 distinct parts :

- 1 - The AUTOMATIC fishing drum with a fishing screw made of stainless steel wire (patented by FAIVRE).
- 2 - The polyester screw integral to its casing.
- 3 - A frame allowing the apparatus to be handled easily.

FAIVRE elevators can fish up to 12 tones of fish per hour. The maximum elevation height depends on the length of the screw.

1ST LET YOUR FISH TRAVEL FIRST CLASS



Fishing drum operating at a sea farm

Why many fish farmers choose FAIVRE elevators :

- 1) The fish are constantly in water, free of stress. And as the polyester screw is translucent, they have the same amount of light as in their natural environment.
- 2) The machine may be started instantly without having to be primed.
- 3) The proportion of fish and water lifted is very regular. You may therefore connect your screw directly to a grader without using a water separator.
- 4) The regularity of the screw elevator allows increased accuracy, whatever the grader used downstream.
- 5) The power used to turn the screw is at least five times less than with other systems.
- 6) The flow rate of the screw can be adjusted at any time simply by setting the speed of the variator.

Today, more than 500 FAIVRE screw elevators are used by fish farmers in 20 countries.

We offer 2 ranges of elevators to fish and to handle trouts, Atlantic and Pacific salmons, eels, sea bass, sea breams, prawns, tilapias, clarias...



**GOLD MEDAL / GENEVA
 FOR THE INVENTION OF THE
 AUTOMATIC FISHING DRUM**

77 CLASS Elevators are made of high quality components :

- Aluminium or Welded & heat galvanised tubular steel frame (for huge lengths).
- Translucent polyester screw with a stainless steel axle.
- Equiped with a motor-reductor driven by an electronic speed variator.
- An adjustable telescopic leg is mounted on the fishing drum to lower to the water line.



The elevators with an ALUMINIUM frame are designed for lengths limited to 5 meters, particularly for use on **sea cages and deepless concrete raceways**.

**LIGHT & COMPACT :
ALUMINIUM FRAME**

77 CLASS Ø 330mm

It is the basic model, very used to fish & bring fish to a grader, a tank and to decant ponds. Fish from 5g to 1.5kg (trout).

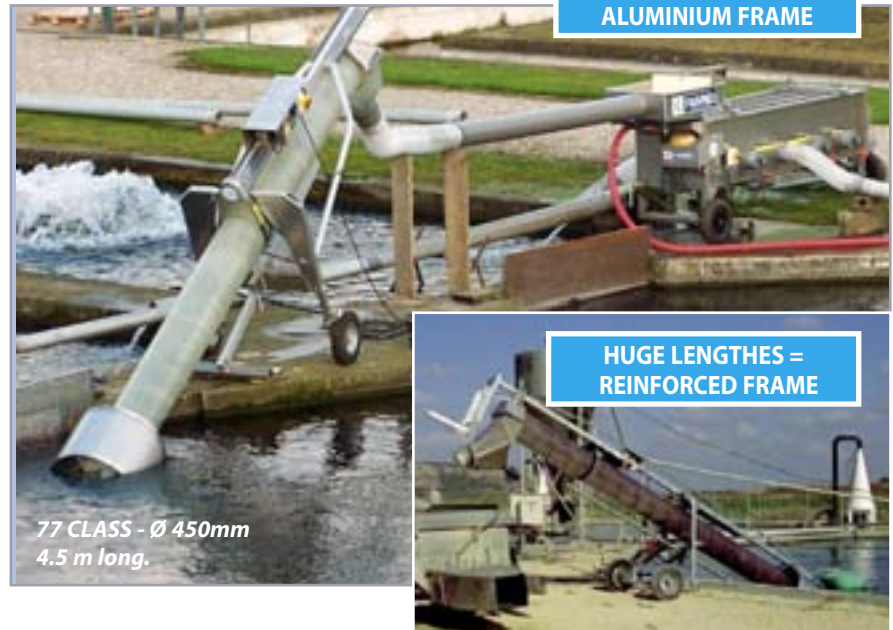
77 CLASS Ø 450mm

Close to the Ø330mm, but for fish up to 3.5kg due to its Ø 450 mm polyester screw. Fish from 5g to 3.5kg (trout).

77 CLASS Ø 550mm

Close to the Ø450mm, but for fish up to 5kg due to its Ø 550 mm polyester screw. Fish from **10g to 5kg**

NEW



77 CLASS - Ø 450mm
4.5 m long.

**HUGE LENGTHS =
REINFORCED FRAME**

**1ST LET YOUR
FISH TRAVEL
FIRST CLASS**

Screw diameter	Ø330mm				Ø450mm				Ø550mm			
Screw length (m)	4	5	6	7	4	5	6	7	4	5	6	7
Trout, salmon from ...	5g to 1,5kg				5g to 3,5kg				10g to 5kg			
Bass, bream from ...	-				5g to 1kg				10g to 2,5kg			
Tilapia from ...	5g to 400g				5g to 1kg				10g to 2,5kg			
Hourly tonnage ajustable(T/h)	0.5 to 5				0.5 to 8				0.5 to 10			
Weight approx. (kg)	267	277	290	310	350	380	390	410	450	480	490	510
References	EF7734	EF7735	EF7736	EF7737	EF7744	EF7745	EF7746	EF7747	EF7754	EF7755	EF7756	EF7757

OPTIONAL EQUIPMENT FOR 77CLASS MODELS :

Huge lengths elevators are supplied with a frame handling driven by hydraulic device (horizontal) and a collapsable wheel carriage hydraulic lifting device (vertical).

- ref. : ESEP - Outlet hopper with water separator
- ref. : E220V - Motor 220V single phase

MARINE QUALITY F 77 ELEVATORS ARE AVAILABLE ON REQUEST.



77 CLASS
fishing drum.

These elevators are designed to load fish **on lorries** or processing plants **from graders, tanks,** or even from another fishing elevator.

It has a stainless steel inlet hopper instead of the fish catching drum.

Its other features are the same as the 77 Class.

**Fish are always
in the water !**

85 CLASS Ø 330mm

Design features :

Polyester screw Ø 330 mm.

Fish from 5g to 1kg

Polyester screw length from 3.5 to 7 m

Motor variator : 0.55 to 0,75 kw - 3 ph.

85 CLASS Ø 450mm

Design features :

Polyester screw Ø 450 mm.

Fish from 5g to 3kg

Polyester screw length from 3.5 to 7 m

Motor variator : 0.75 to 1,1 kw - 3 ph.

85 CLASS Ø 550mm

Design features :

Polyester screw Ø 550 mm.

Fish from 5g to 5kg

Polyester screw length from 3.5 to 7 m

Motor variator : 0.75 to 1,1 kw - 3 ph.

NEW

N°1 in France for trucks loading



85 CLASS elevator - Ø450mm screw - 5m long - EPHP option.

Screw diameter	Ø330mm				Ø450mm				Ø550mm			
Screw length (m)	4	5	6	7	4	5	6	7	4	5	6	7
Trout, salmon from ...	5g to 1kg				5g to 3kg				5g to 5kg			
Bass, bream from ...	5g to 400g				5g to 1kg				5g to 2,5kg			
Tilapia from ...	5g to 400g				5g to 1kg				5g to 2,5kg			
Hourly tonnage ajustable(T/h)	0.5 to 5				0.5 to 8				0.5 to 10			
Weight approx. (kg)	267	277	290	310	350	380	390	410	450	480	490	510
References	EF8534	EF8535	EF8536	EF8537	EF8544	EF8545	EF8546	EF8547	EF8554	EF8555	EF8556	EF8557

OPTIONAL EQUIPMENT FOR 85 CLASS ELEVATORS :

Huge lengths elevators are supplied with a frame handling driven by hydraulic device (horizontal) and a collapsable wheel carriage hydraulic lifting device (vertical).

ref. : ESEP - Outlet hopper with water separator

ref. : E220V - Motor 220V single phase

MARINE QUALITY F 85 ELEVATORS ARE AVAILABLE ON REQUEST.




**77 CLASS - ALUMINIUM FRAME,
ON MARINE BARGE...**

This elevator is used on sea cages and barges, for fishing bass and bream. Mainly used in France, Greece, Italy, Spain, Croatia and many other countries.

Light and easy to handle, the 77CLASS aluminium elevators are the ultimate reference for fish farmers.

On left: Ø450mm, 5m long in Croatia.

**77 CLASS - ALUMINIUM FRAME
ON CONCRETE RACEWAYS...**

This elevator is used in concrete race-ways Mainly for fishing trouts, salmons and tilapias... suitable for all continental fish farms worldwide.

Light and easy to handle, the 77CLASS aluminium elevators are the ultimate reference for continental fish farmers.

On right: Ø450mm, 5m long in Germany.


F77 CLASS - REINFORCED FRAME

Mainly designed to fish and lift up upper sizes fish, and huge vertical lifting height required.

On left: Ø550mm, 6,5m long in trout french fish farm.



Please fill in the gaps and return this sheet for a quotation
Send by fax to +333 81 84 16 15



Type of site :	<input type="checkbox"/> land based	<input type="checkbox"/> off shore (cages)			
Ponds material :	<input type="checkbox"/> earth	<input type="checkbox"/> concret	<input type="checkbox"/> polyester		
Ponds position :	<input type="checkbox"/> off ground	<input type="checkbox"/> excavated in ground			
Type of operation :	<input type="checkbox"/> feeding a grader	<input type="checkbox"/> loading a truck	<input type="checkbox"/> harvesting		
Species of fish handled :	<input type="checkbox"/> Trout	<input type="checkbox"/> Bass	<input type="checkbox"/> Bream	<input type="checkbox"/> Tilapia	<input type="checkbox"/> Other.....
Water quality :	<input type="checkbox"/> fresh water	<input type="checkbox"/> sea water			
	Temperature :	Salinity :			

Weight of the bigger fish to be handled :

Weight of the smaller fish to be handled :

Hourly capacity required : 2 4 6 >6 tons/h

Power supply : 110v single phase 220v single phase 380v three phases
 50hz 60hz
 other : ___volts ___hz ___Phase

Further information :

Any information are welcome i.e. : scheme of the installation, location of the elevator ,digital pictures, etc. . .

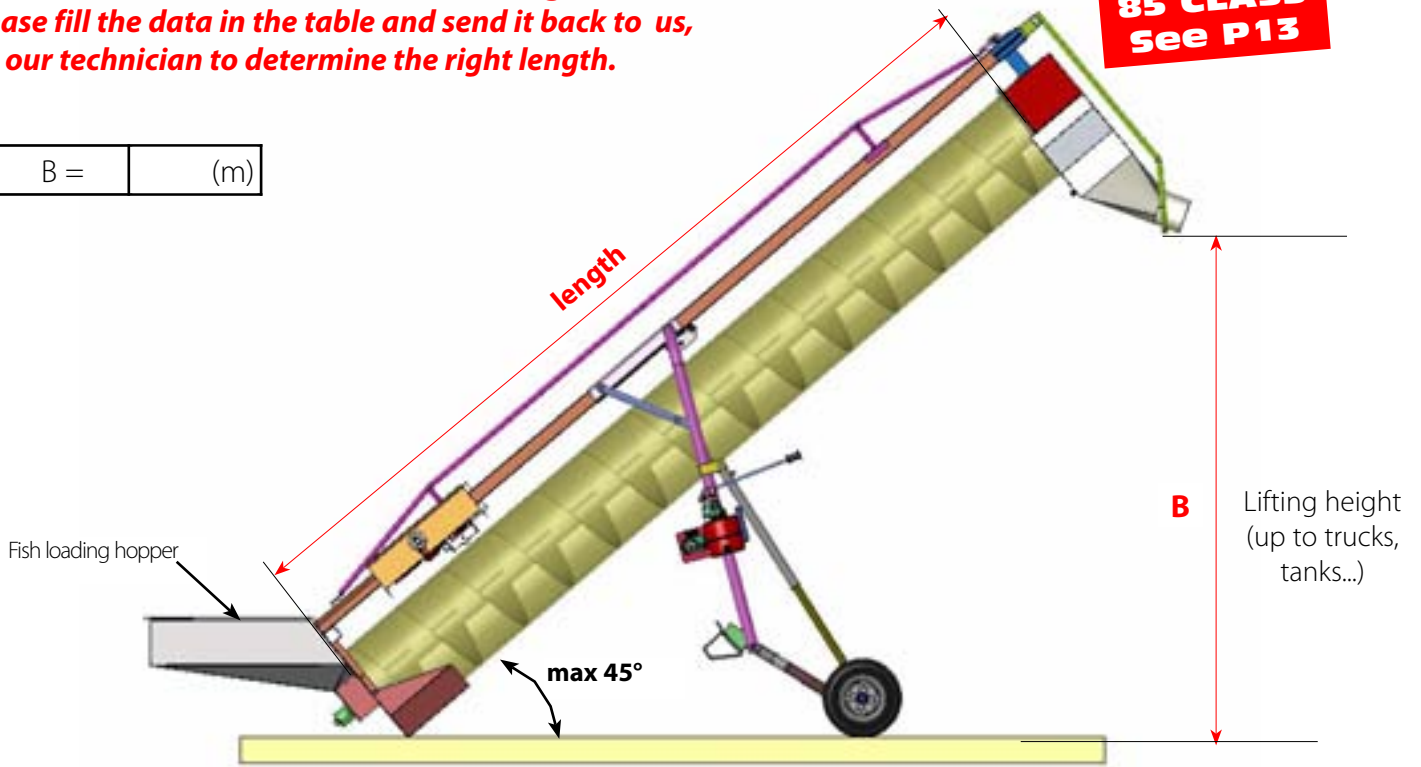
(TO BE SENT WITH SHEET N°2a, FOLLOWING PAGE).

Company :		
Name :		
Function :		
Address :		
zip :	city :	country :
Tel :		
Fax :		
Email :		
Date :	Signature :	

85 CLASS live fish elevator for loading :
 Please fill the data in the table and send it back to us,
 for our technician to determine the right length.

85 CLASS
 See P13

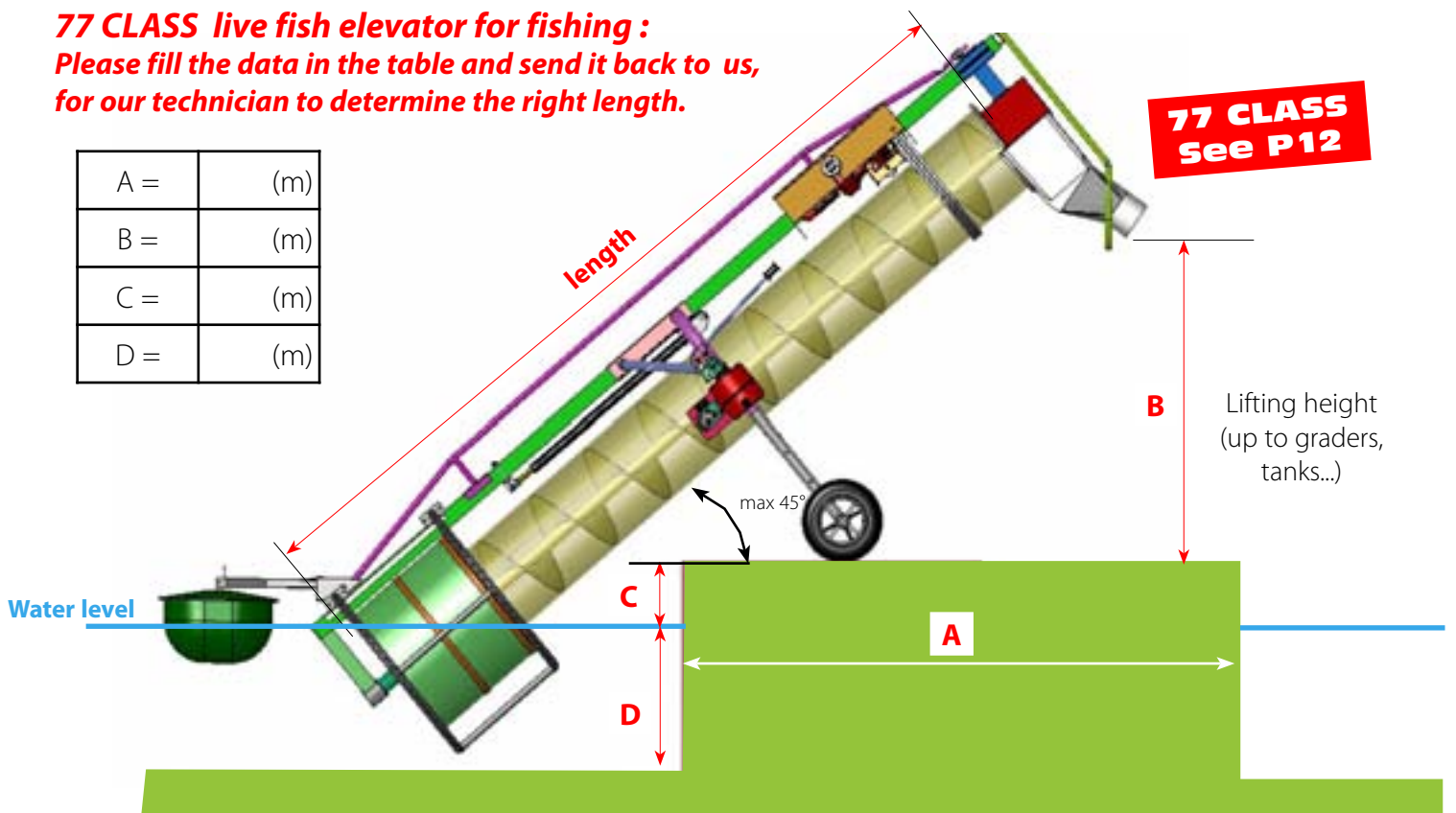
B =	(m)
-----	-----



77 CLASS live fish elevator for fishing :
 Please fill the data in the table and send it back to us,
 for our technician to determine the right length.

77 CLASS
 See P12

A =	(m)
B =	(m)
C =	(m)
D =	(m)



LIVE FISH GRADERS

MORE THAN 1.000 GRADERS HAVE BEEN SOLD ON THE FIVE CONTINENTS



Helios 30 Grader fitted with 3 counters



Helios 20 Grader

Grader Helios 10

FOR SEA BASS AND BREAM FINGERLINGS AND SMOLTS.

Helios 10 is a compact grader especially produced by FAIVRE to satisfy the requirements of modern hatchery and smolts farm. It combines high accuracy and very high speed grading.



**SPECIAL HATCHERY
Sps Technology**
- from 1 g up to 50 g* -



HELIOS 10 :

- ⇨ **5 grading channels.**
- ⇨ 3 x Ø 125 mm outlets on right side (3 size).
- ⇨ Made of aluminium & stainless steel



High precision vernier



2gr Bass in a Helios 10 hopper feeding with fish pump

Fish Species	Bass/Bream	Trout/Salmon
Grader name	Helios 10S	Helios 10T
Number of size	3	3
Channels length (mm)	1600	1600
Channels opening max. (mm)	28	28
Number of outlets	3 x 125mm	3 x 125mm
Fish size mini/maxi	1g to 50g	1g to 50g
Hourly capacity / fish of 2g	80.000	80.000
fish of 5g	60.000	60.000
Approx. weight (kg)	260	260
Dimensions : L / l (m)	3,30 / 1,00	3,30 / 1,00
Height (m)	1,40	1,40
Motor power (50Hz)	0,25kw	0,25kw
water pump need flow (m3/h)	20	20
References	TH10S	TH10S



Inlet hopper with special system for Alevin.

Grader Helios 20

For alevin and smolts.

Helios 20 is a small grader especially produced by FAIVRE to satisfy the requirements of hatchery farm. It combines high accuracy at an economic price.


HELIOS 20 :

- ⇨ **3 grading channels.**
- ⇨ 3 x Ø 125 mm outlets on right side (3 size).
- ⇨ Made of aluminium & stainless steel

1 - Inlet hopper toward 3 channels H4.
 2 - Motor & box.

3 - Adjustment Vernier

SpsTechnology.



Fish Species	Trout/Salmon	Bass/Bream	Tilapia/Carp
Grader name	Helios 20	Helios 20S	Helios 20S
Number of size	3	3	3
Channels length (mm)	1300	1300	1300
Channels opening max. (mm)	28	28	28
Number of outlets	3 x 125mm	3 x 125mm	3 x 125mm
Fish size mini/maxi	2g to 150g	2g to 100g	2g to 100g
Hourly capacity / fish of 10g	40.000	30.000	30.000
fish of 60g	12.000	12.000	12.000
Approx. weight (kg)	110	115	115
Dimensions : L / l (m)	2,5 / 0,5	2,5 / 0,5	2,5 / 0,5
Height (m)	1,2	1,2	1,2
Motor power (50Hz)	0,25kw	0,25kw	0,25kw
water pump need flow (m3/h)	15	15	15
References	TH20	TH20S	TH20T





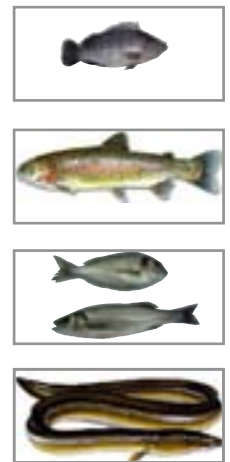
Grader HELIOS 30

For trout, salmon, tilapia, sea bass and sea bream

HELIOS 30 is a grader specially produced by FAIVRE to meet the requirements of many farmers. It combines high accuracy and high speed grading at an economic price.

This grader is particularly adapted for grading bass and bream on sea cages.

ULTRA LIGHT
Easy handling for use on barges & cages.



Characteristics :

- ☞ **3 grading channels.**
- ☞ 6 x Ø 160 mm outlets (3 sizes)
- ☞ 3 grading speeds
- ☞ 2 telescopic legs with crank
- ☞ Made of aluminium & stainless steel SS.316L quality.

Fish Species	Trout	Bass	Tilapia
	Salmon	Bream	Carp
Grader name	Helios 30	Helios 30S	Helios 30S
Number of size	3	3	3
Channels length (mm)	2000	2000	2000
Channels opening max. (mm)	42	42	42
Number of outlets	6 x 160mm	6 x 160mm	6 x 160mm
Fish size mini/maxi	5g to 1000g	5g to 600g	5g to 600g
Hourly capacity / fish of 50g	30.000	30.000	30.000
fish of 250g	20.000	15.000	15.000
Approx. weight (kg)	190	190	190
Dimensions : L / l (m)	3,5/1	3,5/1	3,5/1
Height (m)	1,3	1,3	1,3
Motor power (50Hz)	0,25kw	0,25kw	0,25kw
water pump need flow (m3/h)	40	40	40
References	TH30	TH30S	TH30S



Helios 30 grader in sea bass fish farm



Adjustment vernier

Grader HELIOS 40

for trout, salmon, tilapia, sea bass and sea bream

HELIOS 40 is a grader longer than the Helios 30 .

It combines very high accuracy(4 sizes) and high huge hourly capacity at an affordable price.



Characteristics :

- ⇨ **3 grading channels.**
- ⇨ 8 x Ø 200 mm outlets (4 sizes)
- ⇨ 3 grading speeds
- ⇨ 2 telescopic legs with crank
- ⇨ Made of aluminium & stainless steel SS.316L quality.



Fish Species	Trout	Bass	Tilapia
	Salmon	Bream	Carp
Grader name	Helios 40	Helios 40S	Helios 40S
Number of size	4	4	4
Channels length (mm)	2500	2500	2500
Channels opening max. (mm)	65	65	65
Number of outlets	8 x 200mm	8 x 200mm	8 x 200mm
Fish size mini/maxi	5g to 1500g	5g to 800g	5g to 800g
Hourly capacity / fish of 250g	20.000	15.000	15.000
fish of 350g	13.000	12.000	12.000
Approx. weight (kg)	230	230	230
Dimensions : L / l (m)	3,9/1	3,9/1	3,9/1
Height (m)	1,3	1,3	1,3
Motor power (50Hz)	0,25kw	0,25kw	0,25kw
water pump need flow (m3/h)	40	40	40
References	TH40	TH40S	TH40S



Inlet hopper



Adjustment vernier

GRADER HELIOS 50

for large trout, salmon, tilapia, sea bass and sea bream

HELIOS 50 is a grader specially produced by FAIVRE to meet the requirements of many farmers. It combines high accuracy and high speed grading.



Characteristics :

- ⇨ **3 grading channels.**
- ⇨ 6 x Ø 250 mm outlets (3 sizes)
- ⇨ 3 grading speeds (speed variator optional)
- ⇨ 2 telescopic legs with crank
- ⇨ Made of aluminium & stainless steel SS.316L quality.



Strong points :

- ✓ A grader fitted with the performing **Sps Technology** made for a **high speed grading and without any injury.**
- ✓ A machine entirely made of aluminium and of stainless steel.
- ✓ An easy and perfect adjustment because of its lifting jack
- ✓ A working out watering system fitted with adjustment gates.



Fish Species	Trout	Bass	Tilapia
	Salmon	Bream	Carp
Grader name	Helios 50	Helios 50S	Helios 50S
Number of size	3	3	3
Channels lenght (mm)	2500	2500	2500
Channels opening max. (mm)	75	75	75
Number of outlets	6 x 250mm	6 x 250mm	6 x 250mm
Fish size mini/maxi	5g to 2500g	5g to 2000g	5g to 2000g
Hourly capacity / fish of 500g	11.000	10.000	10.000
fish of 650g	10.000	9.000	9.000
Approx. weight (kg)	300	300	300
Dimensions : L / l (m)	3,7/1,2	3,7/1,2	3,7/1,2
Height (m)	1,5	1,5	1,5
Motor power (50Hz)	0,55kw	0,55kw	0,55kw
water pump need flow (m3/h)	50	50	50
References	TH50	TH50S	TH50T





GRADER IN HATCHERY

Newly manufactured especially for hatchery the HELIOS 10 grader is precise and reliable and provide a high grading capacity at an economic cost.

Mainly used for grading bass, bream, trout and smolts, in France, Greece, Italy, Spain, Chile, Croatia ...

On left : In a sea bass hatchery.

GRADER ON CONCRETE RACEWAYS

HELIOS grader used on concrete race-ways Mainly for grading trouts and salmons, suitable for all continental fish farms worldwide.

Hereby : HELIOS 30 grader wih 3 grading channels, 4 outlets. Trout farm in France.



GRADER ON PONDS

HELIOS graders are suitable for use on ponds fish farms to grade Carp, Bass and Bream, Tilapia...

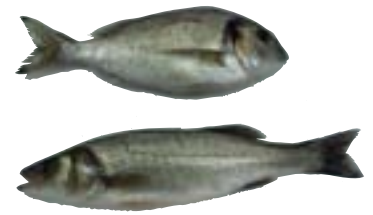
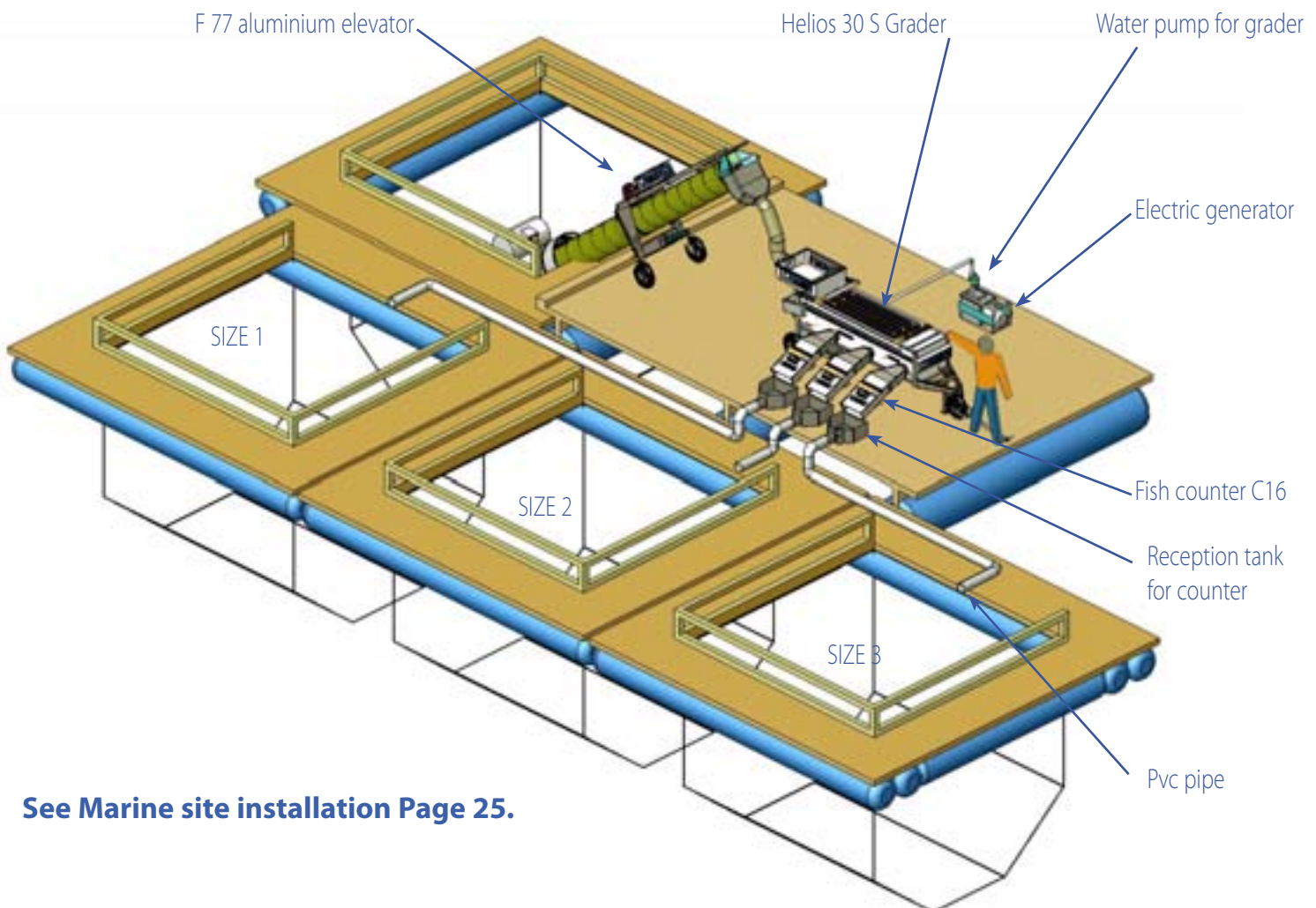
On left : HELIOS 50 grader wih 3 grading channels, 3 outlets. Bass & bream farm in Portugal..



SPECIAL GRADER :

HELIOS 20S, 30S, 40S and 50S have been especially designed to grade very delicate **sea water species as Sea Bass and Sea bream.**

Due to their lightness and compactness, they can easily be installed **on barge.** They benefit from the performing Sps Technology with extra features.


Grader and elevator especially for sea bream and sea bass


See Marine site installation Page 25.

EXTRA FEATURES :

- Stainless steel **SS.316L**
- Inlet hopper with added watering system.
- Grading channels with double shower of water.
- Channel's shapes rounded.
- Soft discharge system of fish from the receipt hoppers.

DESIGN FEATURES :

Given in pages 18 to 22
Ref TH10S - TH20S - TH30S
 TH40S - TH50S

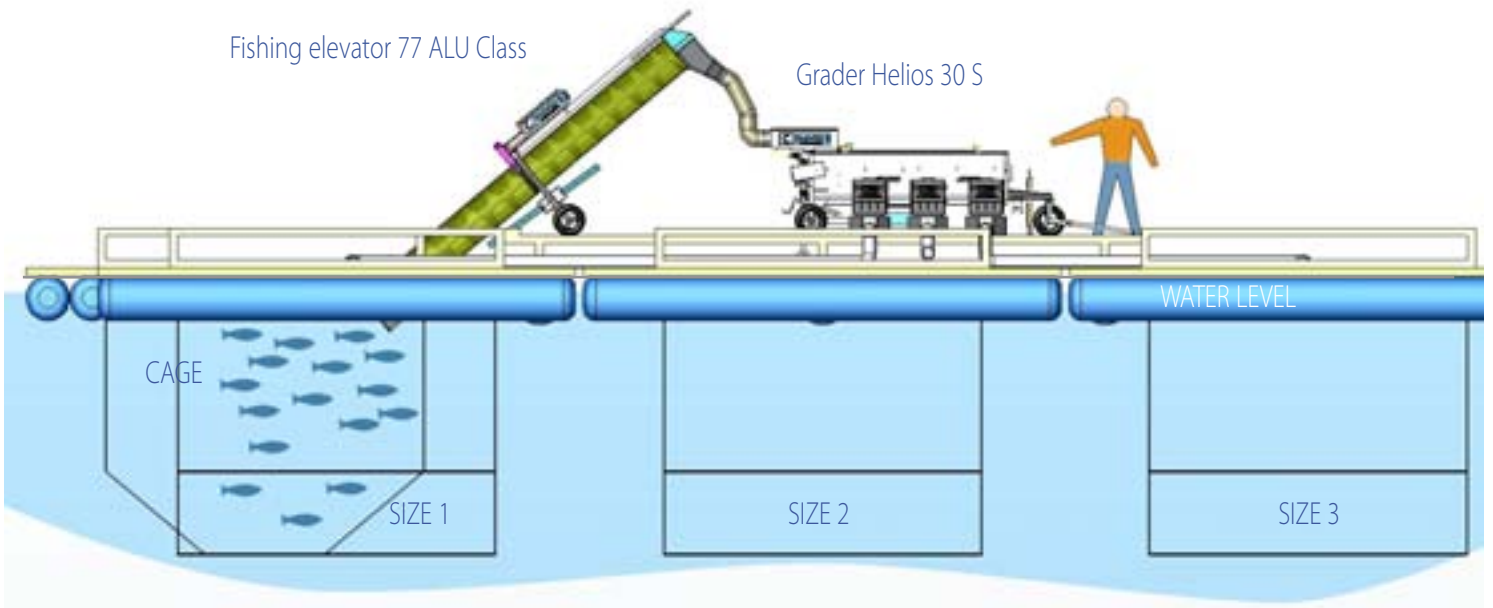


View into outlet hopper out of channels.



Fishing elevator 77 ALU Class

Grader Helios 30 S



- SPS TECHNOLOGY -

Sps TECHNOLOGY designed by FAIVRE is based on an elaborate conveying system with pushing slats. Grading channels & components are locked in after setting.

With **Sps TECHNOLOGY** small fish can not over pass to be graded with bigger one.

So, this unique Technology brings to FAIVRE graders many advantages. All these reasons make **FAIVRE Graders** particularly performing and very appreciate.

Up to now, more than **1000 FAIVRE graders** have been installed in **40 countries** since 1961.

5 models efficiently grade the following species :

- Trout,
- Atlantic & pacific salmon,
- Sea bass, sea bream,
- Carp,
- Sea trout,
- Tilapia,
- Barramundi
- Eel, etc...



900gr sea bream in a Helios 50, view in the grading channels.

- **Hight accuracy grading system**
- **Grade adjustment** → easy & precise
- **Reliability** → proved and robust design
- **Light & compact** → easy movable
- **High hourly figures** → up to 6 t/h
- **Long working life** → Viable investment





Please fill in the gaps and return this sheet for a quotation
Send by fax to +333 81 84 16 15

Type of installation to be graded :	<input type="checkbox"/> land based	<input type="checkbox"/> sea (cage)			
Species of fish to be graded :	<input type="checkbox"/> trout	<input type="checkbox"/> bass	<input type="checkbox"/> bream		
	<input type="checkbox"/> Tilapia	<input type="checkbox"/> Salmon	<input type="checkbox"/> others		
Water quality :	<input type="checkbox"/> fresh water	<input type="checkbox"/> sea water			
	Temperature :	Salinity :			
Weight of the bigger fish to be graded :					
Weight of the smaller fish to be graded :					
Number of size required :	<input type="checkbox"/> 2 sizes	<input type="checkbox"/> 3 sizes	<input type="checkbox"/> 4 sizes		
Accuracy required :					
Hourly capacity required :	<input type="checkbox"/> 1	<input type="checkbox"/> 2	<input type="checkbox"/> 3	<input type="checkbox"/> 4	<input type="checkbox"/> 5 tons/h
Counting fish required :	<input type="checkbox"/> yes	<input type="checkbox"/> no	<input type="checkbox"/> later		
Power supply :	<input type="checkbox"/> 110v singlephase	<input type="checkbox"/> 220v singlephase	<input type="checkbox"/> 380v triphases		
	<input type="checkbox"/> 50hz	<input type="checkbox"/> 60hz			
	<input type="checkbox"/> other : ____volts	__hz	__Phase		

Further information :

Any information are welcome i.e. : scheme of the installation, location of the grader ,digital pictures, etc...

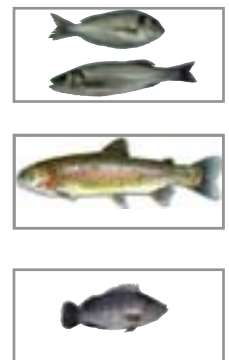
Company :		
Name :		
Function :		
Address :		
zip :	city :	country :
Tel :		
Fax :		
Email :		
Date :	Signature :	

Since 1988, many fish breeders have been using our **Pescavision 30 counters** which combine the latest technology and unparalleled ease of use. They can be installed very rapidly.

The Pescavision 30 model covers counting needs extending from 50g to 1kg. It is designed to be placed at the outlet of the sorting system, thereby centralising the equipment and reducing the installation time.



Counter with reception tank on a H30 grader's outlet.



Counter	Pescavision 30		
	Trout Salmon	Bass	Bream Tilapia
Kind of fish			
Fish from	50g to 1,00kg	50g to 600g	50g to 500g
Capacity (maxi)	3t/h	3t/h	3t/h
Channels nbr	4	4	4
Channels width	100mm	100mm	100mm
Connection diameter	160mm	160mm	160mm
Accuracy	+/- 3%	+/- 3%	+/- 3%
Dimensions	1,3x0,5x0,5m		
Weight	16kg		
Voltage	24v		

Delivered with a 220v/24v transformer

Reference	FCP30T	FCP30S	FCP30S
-----------	--------	--------	--------

*Reception tank are not including in the counter price.

48 H
DISPLAY
MEMORY



FLOATING AERATORS

A blue floating aerator with a motor is shown on a body of water. The aerator is rectangular with rounded corners and has a motor mounted on top. It is surrounded by several ropes that are part of a larger system. The water is dark blue and shows some white foam from the aerator's operation. The background is a light blue sky.

**MORE THAN 10,000 AERATORS
HAVE BEEN SOLD
IN EUROPE**

FISH GROW UP IN THE BEST CONDITIONS WITH FAIVRE AERATORS.

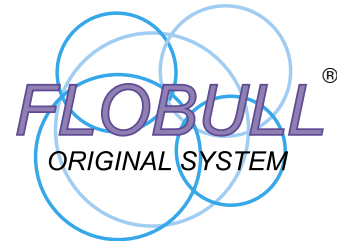
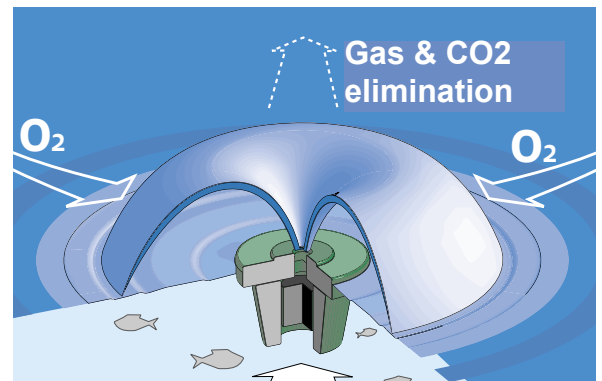
Since the 60s, FAIVRE has been developing floating aerators. Due to a wide know-how in aeration processes FAIVRE can easily determine and advise you which kind of aerators you need.

Nowadays FAIVRE is the European leader

FAIVRE aerators are useful to :

- Oxygenate water and discharge gases.
- Diffuse the recycled water through the pond.
- Help a regular growth of your fish.

in floating aerators with more than 10.000 items working worldwide.



FLOATING AERATORS > KITS FOR DIRECTIONAL SPRAY

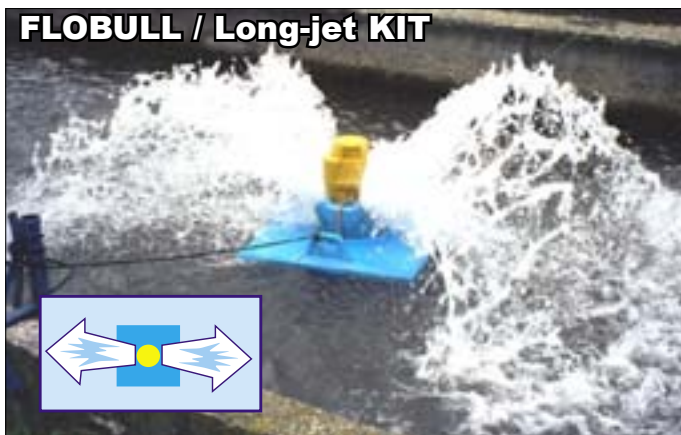
AERATION + CIRCULATION

Surfaces from 100 m² to 1500 m².

Two Kits made of polyester enable FLOBULL to direct water spray in a direction required. They are mounted on the propeller's outlet and prevent water from stratification wider than classic circular spray.

FLOBULL Long Jet makes a long spray from each side of the propeller.

FLOBULL Single-jet makes a powerfull spray in a single side from the propeller, for an hydro current with optimum oxygen gain.

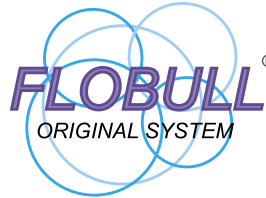


FLOBULL - AERATORS FOR PONDS & LAKES

A single FLOBULL can oxygenate from 100 to 1000 m² at a high oxygen rate.
For bigger volumes & extensive ponds, a combination of FLOBULL & AEROPULSE is advised.

DESIGN FEATURES :

- 1 • IP 55 Protected motor (1500 Rpm)
- 2 • Cone-shaped water diffuser.
- 3 • 4 blades propeller.
- 4 • Float made of high density polyethylen.
- 5 • SS.304 water inlet screen (8 to 14 mm openings).



For marine use stainless steel **SS.304** is changed to **SS.316L** - please contact us.



FLOBULL AERATORS in a trout raceway.

GROSS OXYGEN GAIN
1.3 kg O₂/kwh consumed
Figure from CEMAGREF 1993 report.

FLOBULL	0,25HP	0,5HP	1HP	2HP
Power (kw)	0,18	0,37	0,75	1,5
Maxi. consumed power (kw)	0,32	0,57	1,05	1,95
Water flow (m ³ /h)	75	135	225	380
Oxygen gain (kgO ₂ /h)	0,42	0,64	1,12	2,20
Spray height (m)	0,65	0,80	1,10	1,40
Spray diameter (m)	2,5	3	3,5	4,5
Dimensions (m)	0,6x0,6	0,7x0,7	0,9x0,9	0,9x0,9
Height (m)	0,55	0,68	0,80	0,80
Approx. weight (kg)	16	28	39	42
Références*220v 1 phase / 50 hz	APF0021	APF0051	APF0101	APF0201
380-415v 3 ph. / 50 hz	APF0023	APF0053	APF0103	APF0203

*Other voltages available on request.

Our technicians can help you to choose the right solution relating to your oxygenation problems.

15 meters of cable are supplied with each aerator, should you need longer, please ask us.



AERATION + CURRENT - Huge water volumes treated.

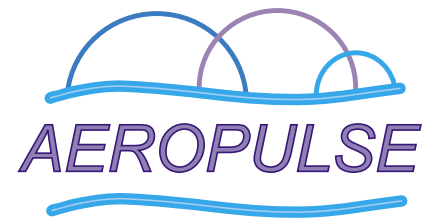
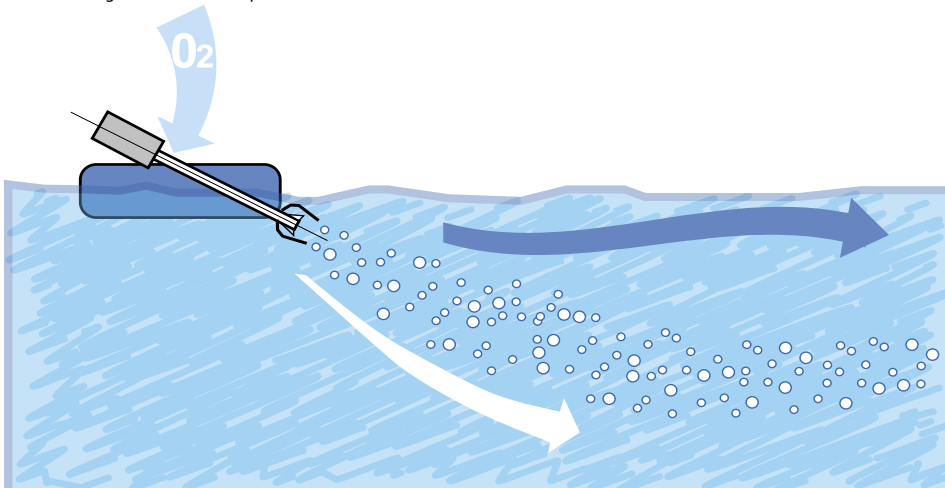
The Aeropulse injects oxygen at a high rate over a broad pattern in the turbulent flow it creates. It can be adjusted in its distribution angle enabling stratification to be greatly reduced. Ideal for large ponds, lagoons & offshore sea cages, etc... Silent running.



2 HP hydro-ejectors in a sea bass fish farm

AEROPULSE ▷	1 HP	2 HP	3 HP	4 HP
Motor power (kw)	0,75	1,5	2,2	3
Water flow (m3/h)	300	550	750	1200
O2 production (kgO ² /h)	0,8	1,7	2,6	4
Weight (kg)	39	42	47	70
References*220v 1 phase / 50 hz	APA0101	APA0201	-	-
380-415v 3 ph. / 50 hz	APA0103	APA0203	APA0303	APA0403

* Other voltages available on request.



HYDRO-EJECTION TECHNIQUE

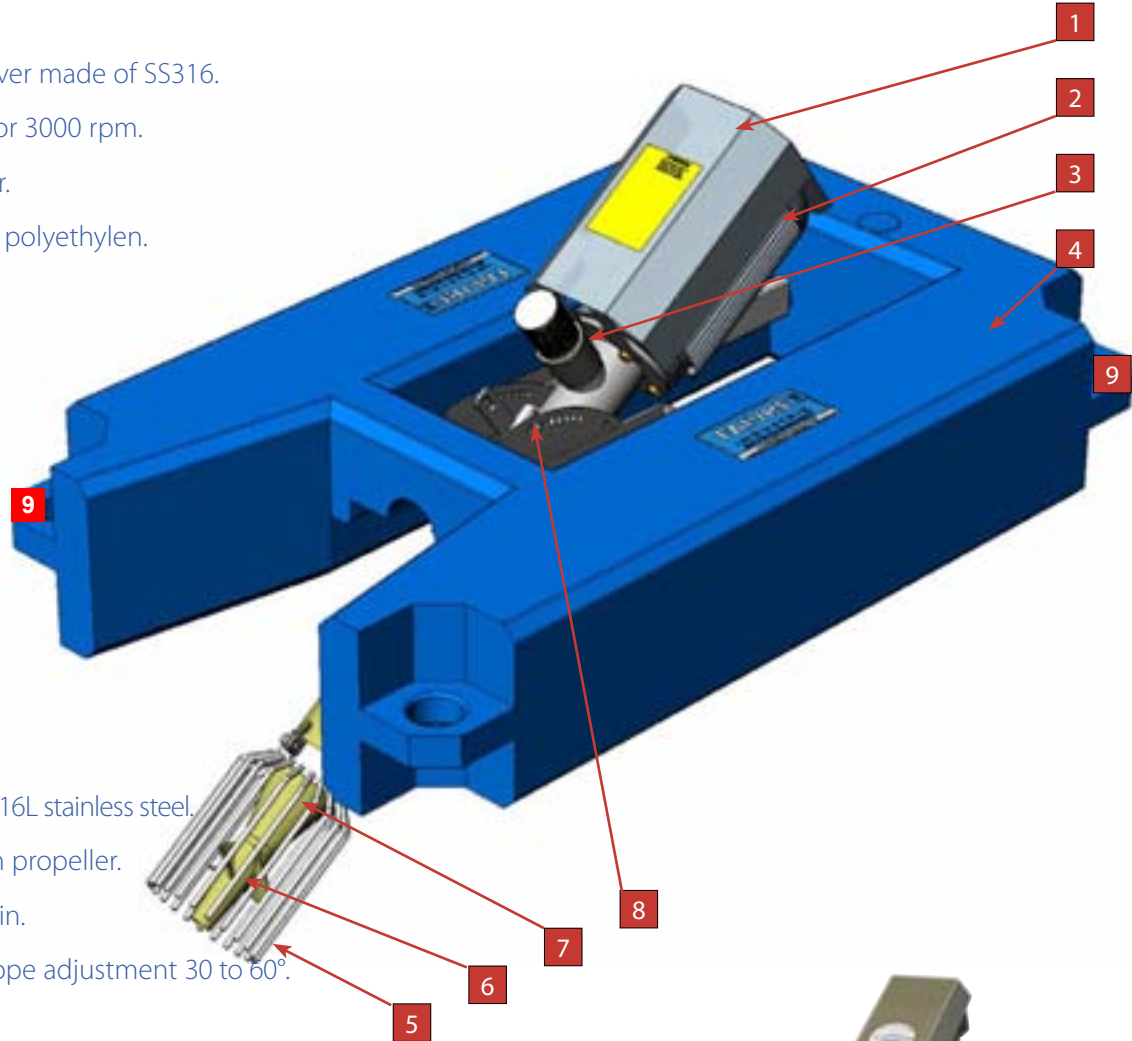
AEROPULSE is based on Venturi principle. The propeller is directly mounted on motor axle. It pulse the water in a flow that create an air inflow. The air-flow is injected into water-flow giving optimum water/air mixture.

20 meters of cable are supplied with each Aeropulse. Longer cable available on request.

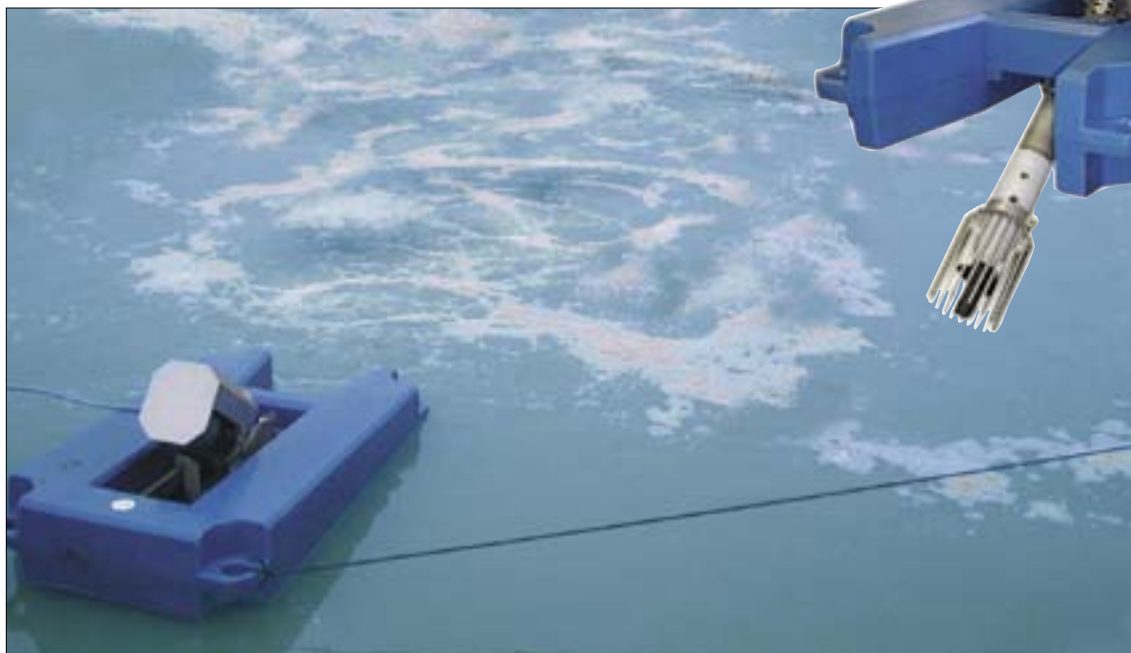


DESIGN FEATURES :

- 1** • Motor protection cover made of SS316.
- 2** • IP 55 protected motor 3000 rpm.
- 3** • Suction strainer of air.
- 4** • Float in high density polyethylen.



- 5** • Sump filter made of 316L stainless steel.
- 6** • 3 blades air injection propeller.
- 7** • Diffusor made of resin.
- 8** • Motor/propeller's slope adjustment 30 to 60°.
- 9** • Float's tow point.



THIS EGG SORTER PRECISELY SELECTS EGGS TO PREVENT DEATH FROM DISEASE CONTAGION...

Usefull on hatcheries & farms that handle large quantities of eggs.

Built with the greatest care, this equipment can sort eggs of all species.

TC 100 is delivered with 4 perforated discs from Ø 5 to Ø 8 mm.

TECHNIQUE


View in to the 20 liters tank.

PHOTO-ELECTRICAL SYSTEM :

Eggs are pushed under pressure (2 bars) behind a photo sensor.

Whenever dead eggs are passing over, the sensor sends a signal to the electronic unit. They are ejected and separated from the good eggs to prevent disease contagion.



Grading disc & Photo-electrical sensor.

PROVEN TECHNOLOGY
Photo-electrical sensors.
Easy maintenance.

TC 100 EGGS SORTER

Capacity (eggs/hour)	100.000
Tanks (L)	20
Voltage (v)	24
Power (w)	100
Dimensions (cm)	57x52x45
Weight (kg)	24

Delivered with a 220/24v transformer.

Reference TC 100

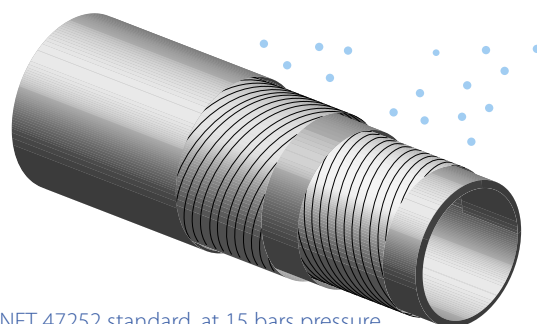


MICRO-BULL is made using 3 layers of reinforced rubber tubing which are perforated by the «Micro eye» system, only made by FAIVRE.

It **reduces** your average oxygen consumption **by 30 %** and the diffused micro-bubbles are so thin that they cannot easily disintegrate in the water. Thus giving higher oxygen transfer.

Ref. - DIFFA09/15
Ref. - DIFFA19/30

Inner tube Ø 9 mm
Inner tube Ø 19 mm



NFT 47252 standard, at 15 bars pressure.



MICROBULL Diffusor tubing (in deepless tank for demonstration)

Table giving pressure (bars) / flow (liter per min)

Pressure (bars)		0,25	0,3	0,4	0,5	0,6	0,7	0,8	1
Flow rate in liters per min per meter length	MICRO-BULL Ø int = 9 mm	0,15	0,2	0,3	0,5	0,6	0,7	0,8	1
	MICRO-BULL Ø int = 19 mm	0,5	0,6	0,8	1	1,2	1,4	1,6	2



MICRO-BULL is available in rolls of :
- 40 or 80 long for the diameter 19mm.
- 40, 80 or 120m long for the diameter 9mm.

TRY IT!
1m FREE SAMPLE
UPON REQUEST

FAIVRE & PARTNERS WORLDWIDE

AUSTRALIA - FRESH BY DESIGN - SCANZ TECHNOLOGIES / **CHILI** - COVEPA / **CROATIA** - BARTOLIC MULTIFOODPAK / **EGYPT** - AQUA CONSULTANTS OFFICE / **FINLAND** - KALAVESY OY / **GERMANY** - AQUAKULTUR FISCHTECHNIK / **GREECE** - D. DOUMAS SONS O.E. / **ICELAND** - STOFNFISKUR / **IRAN** - GOLDEN SEA FOOD / **ISRAEL** - DAG AL ADAN - SION FARM / **ITALY** - SCUBLA SNC / **KOREA** - WOO CHANG CORPORATION / **PORTUGAL** - FERNANDO RIBEIRO / **MALAYSIA** - AQK AQUACULTURE / **NEW-ZEALAND** - SCANZ TECHNOLOGIES / **NORWAY** - HOH BIRGER CHRISTENSEN AS - BRØDRENE DAHL / **SERBIA** - PREDO / **SPAIN** - ADJ - INNOVAQUA - ACUITEC / **UNITED KINGDOM** - A.S.I. SOLWAY FISHERY - PISCES ENGINEERING / **USA** - AQUATIC ECO SYSTEMS INC.



FAIVRE ON EXHIBITIONS WORLDWIDE



Each year, **FAIVRE Sarl** present its equipments on shows, previous exhibitions were...

- Beijing 2002 (China),
- Glasgow 2003 (UK),
- Verona 2003 (Italy),
- Bordeaux 2004 (France),



Otherwise, our partners exhibit with our equipments on local and national fairs, get in touch with them!

NEXT meet **Mr Faivre** and seek for the best solution that you need... **at AQUA'2006 in Italy (Firenze) on May 9-13, 2006.**

HOW TO VISIT US



FAIVRE SARL IS LOCATED IN FRANCE CLOSE TO SWISS AND GERMAN BORDERS, NEAR THE TOWN OF BESANÇON.

BY Train 2:30 HRS FROM **PARIS**
BY Train 1:45 HR FROM **LYON AIRPORT**
BY Road 1:15 HR FROM **BASEL AIRPORT**
BY Road 2:00 HR FROM **LYON / GENEVA / ZÜRICH**

To contact us & to be advised :

Tel + 333 81 84 01 32
Fax + 333 81 84 16 15

e-mail : info@faivre.fr
Web : <http://aquaculture.faivre.fr>



DVD Video of FAIVRE equipment operating on trouts, bass, bream, tilapia... sent upon request.



AQUACULTURE EQUIPMENT
ÉQUIPEMENTS POUR L'AQUACULTURE
AUSRÜSTUNG FÜR DIE AQUAKULTUR
MÁQUINAS PARA LA ACUICULTURA
MACCHINE PER L'ACQUICOLTURA



1st Manufacturer of fish farming and aquaculture equipment in Europe



FAIVRE Sarl 7 rue de l'industrie
25110 Baume-les-Dames - **FRANCE**

Tel +333 81 84 01 32 - Fax +333 81 84 16 15
E.mail : info@faivre.fr - Web : <http://www.faivre.fr>

**VISIT our
new site ...**